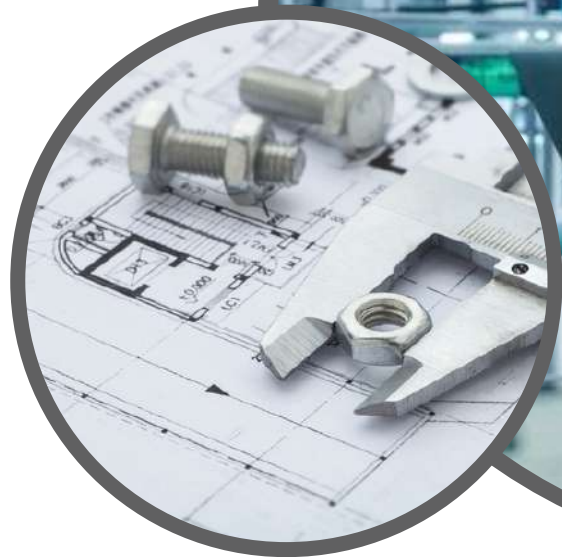




E-BOOK

CAD Practice Drawings

www.3dcadclick.com



Bangalore, India 



Preface

In the world of CAD drafting, practice is progress. While knowing software tools is important, real skill comes from applying them to practical, real-world drawings. This eBook—created by 3DCAD Click—is a curated collection of 2D practice drawings, specially designed for learners and professionals who want to sharpen their AutoCAD skills through hands-on experience.

Each drawing has been carefully selected to challenge and develop key drafting competencies—from basic geometry to more complex layouts. Whether you're a beginner building confidence or an experienced user looking to refresh your skills, this eBook is your practice ground.

At 3DCAD Click, we believe that structured, skill-based learning is the path to mastery. This book is another step toward that goal, helping mechanical engineers and CAD learners become faster, more accurate, and more confident in their work.

If you're ready to move from learning to doing, you're in the right place. For more courses, tutorials, and training support, visit www.3dcadclick.com—an ISO certified training institute for mechanical design professionals.

— Team 3DCAD Click

www.3dcadclick.com



Overview

This eBook contains a collection of 2D CAD practice drawings that cover a wide range of geometries and difficulty levels. Each drawing is presented with clear dimensions and drafting details to help users practice and replicate them using AutoCAD or similar CAD tools.

Key Features:

Practice drawings ranging from basic to advanced

Suitable for students and professionals

Focused on mechanical and general drafting scenarios

Enhances speed, accuracy, and visualization in 2D drafting.

By working through this book, readers will:

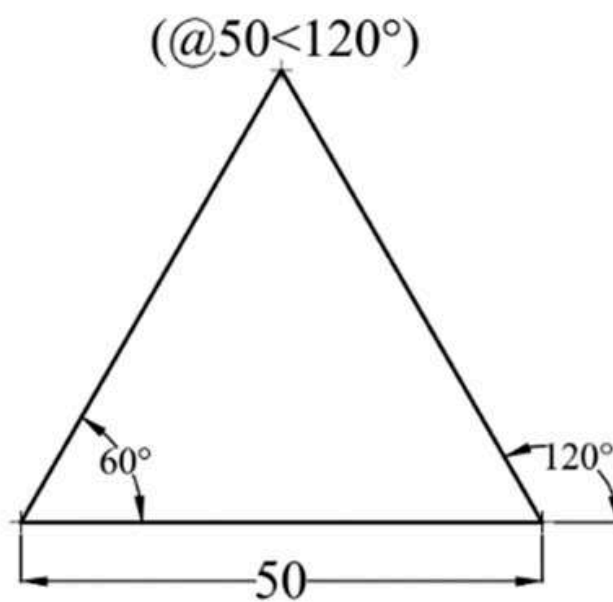
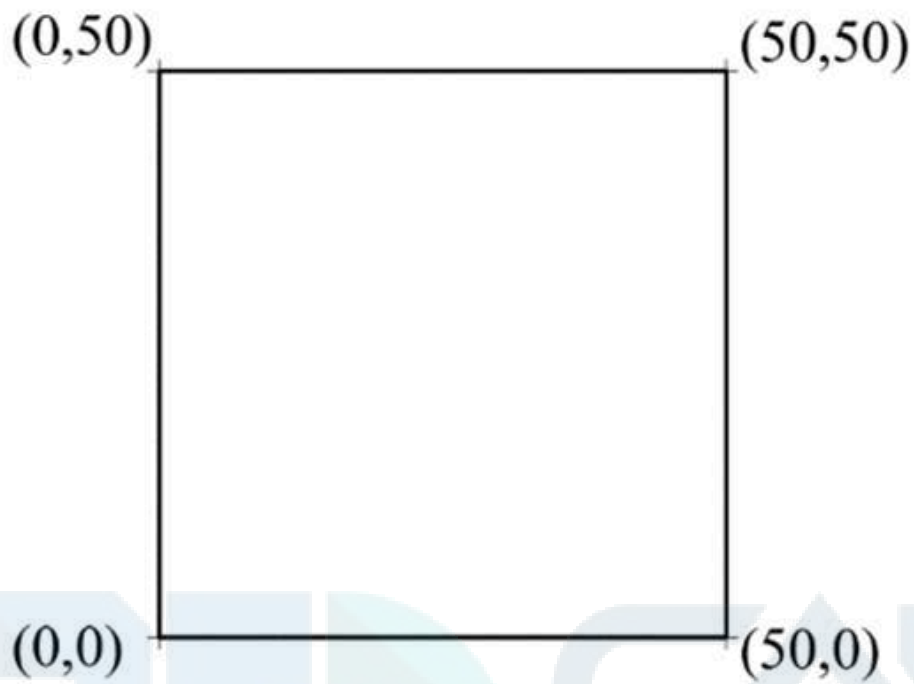
Strengthen their command over AutoCAD drawing tools

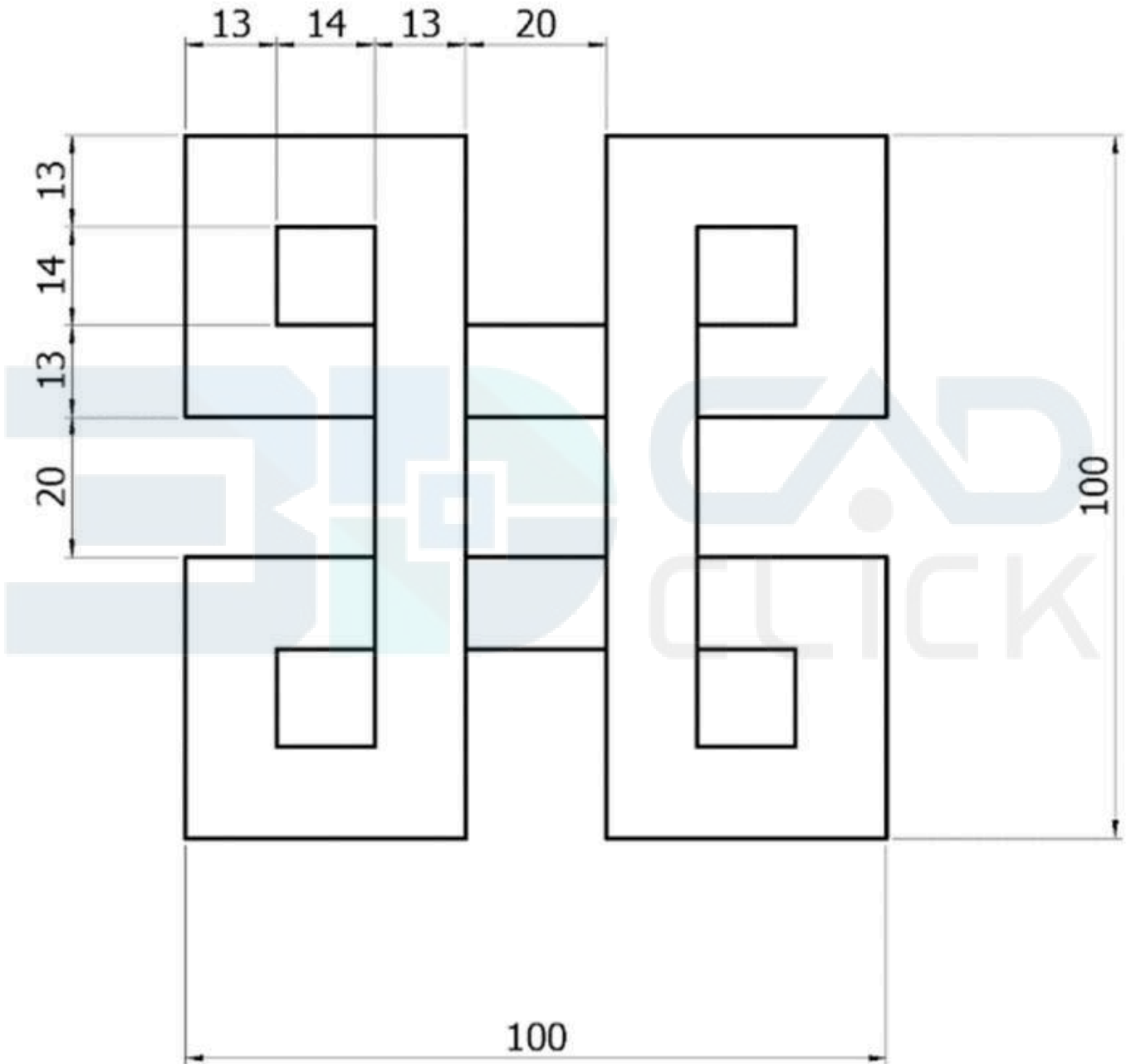
Build confidence in interpreting and recreating 2D plans

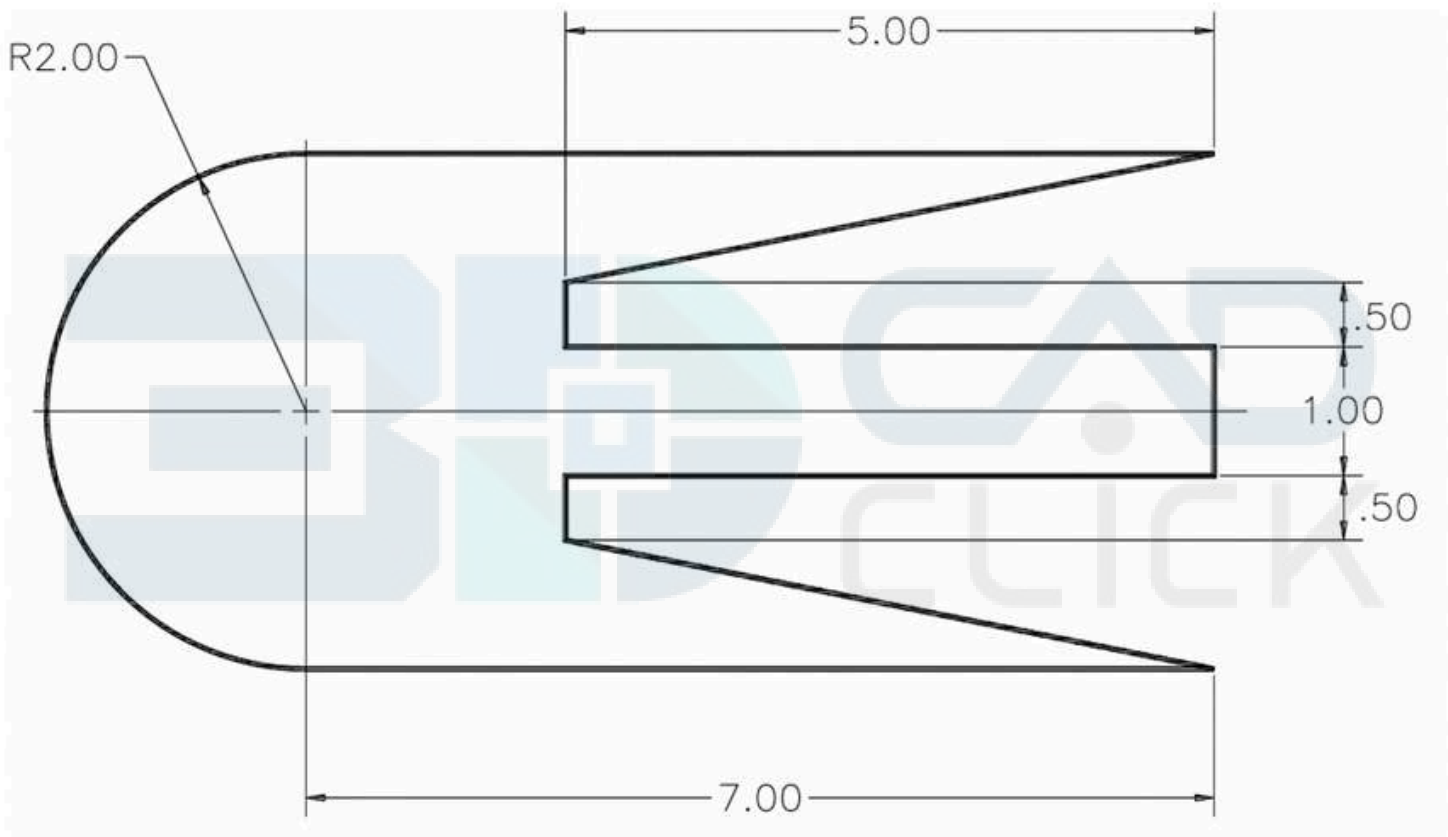
Develop habits for precision and speed in real-world drafting

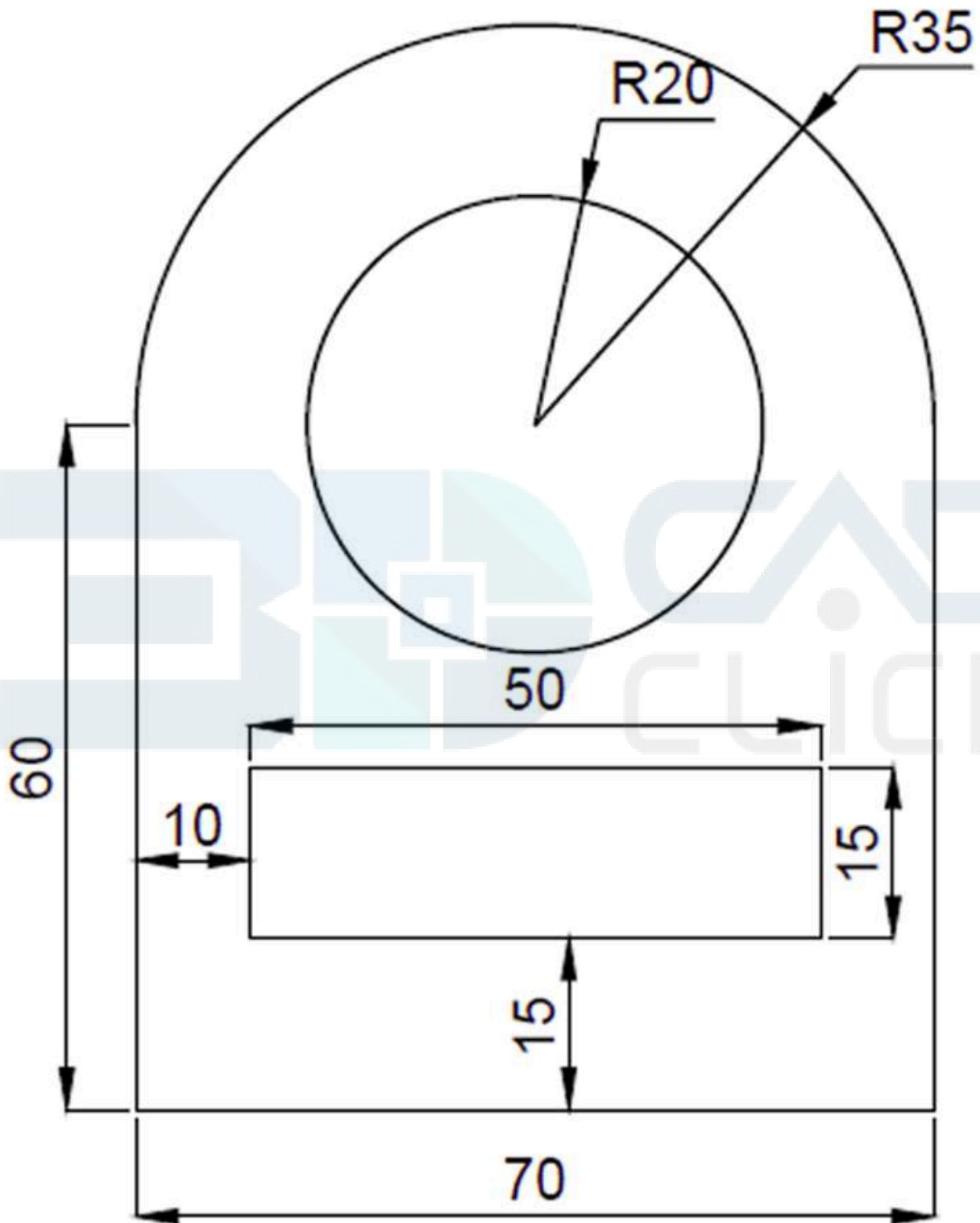
For structured learning and guided tutorials, explore more at www.3dcadclick.com, your ISO certified partner in CAD education.

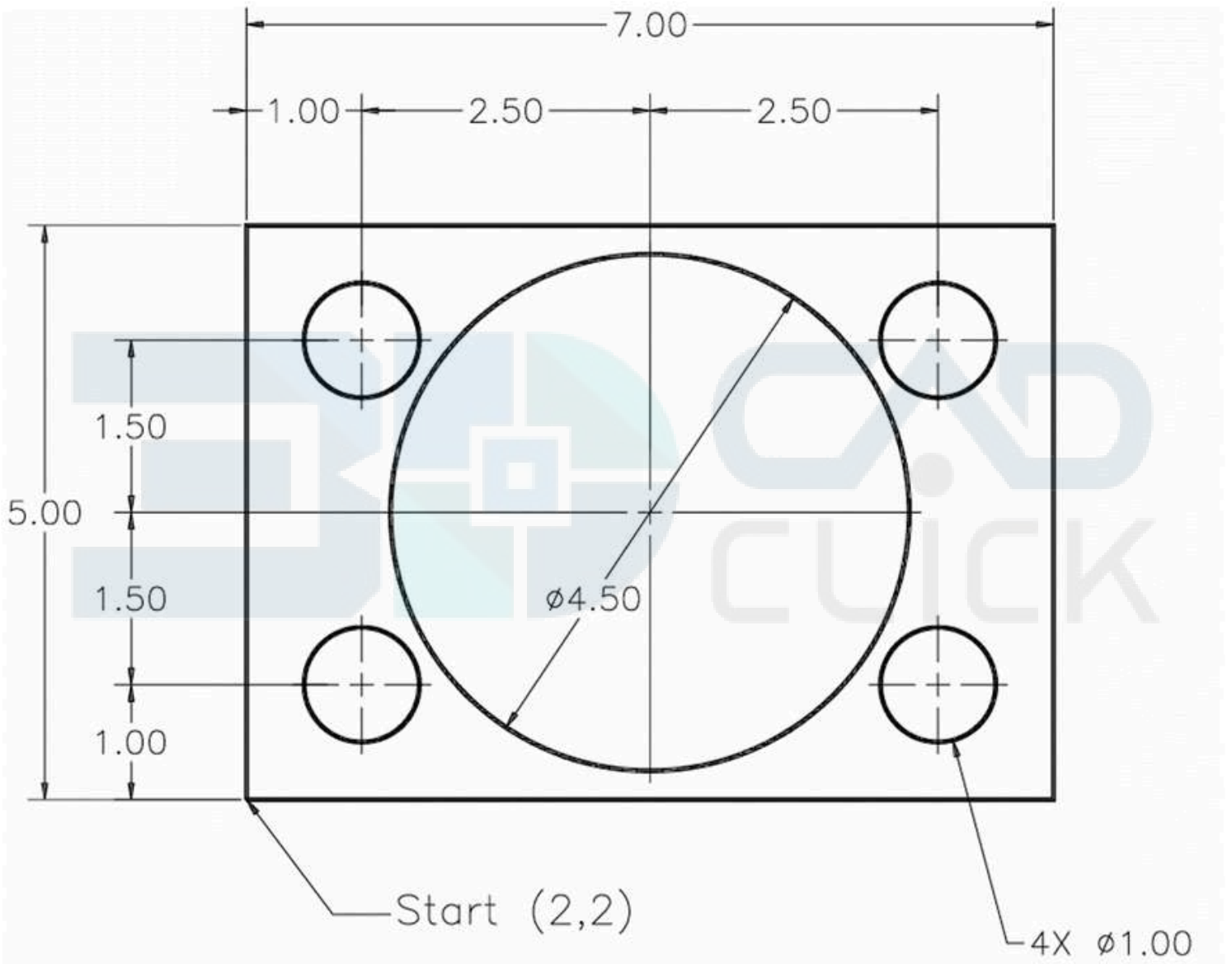
www.3dcadclick.com

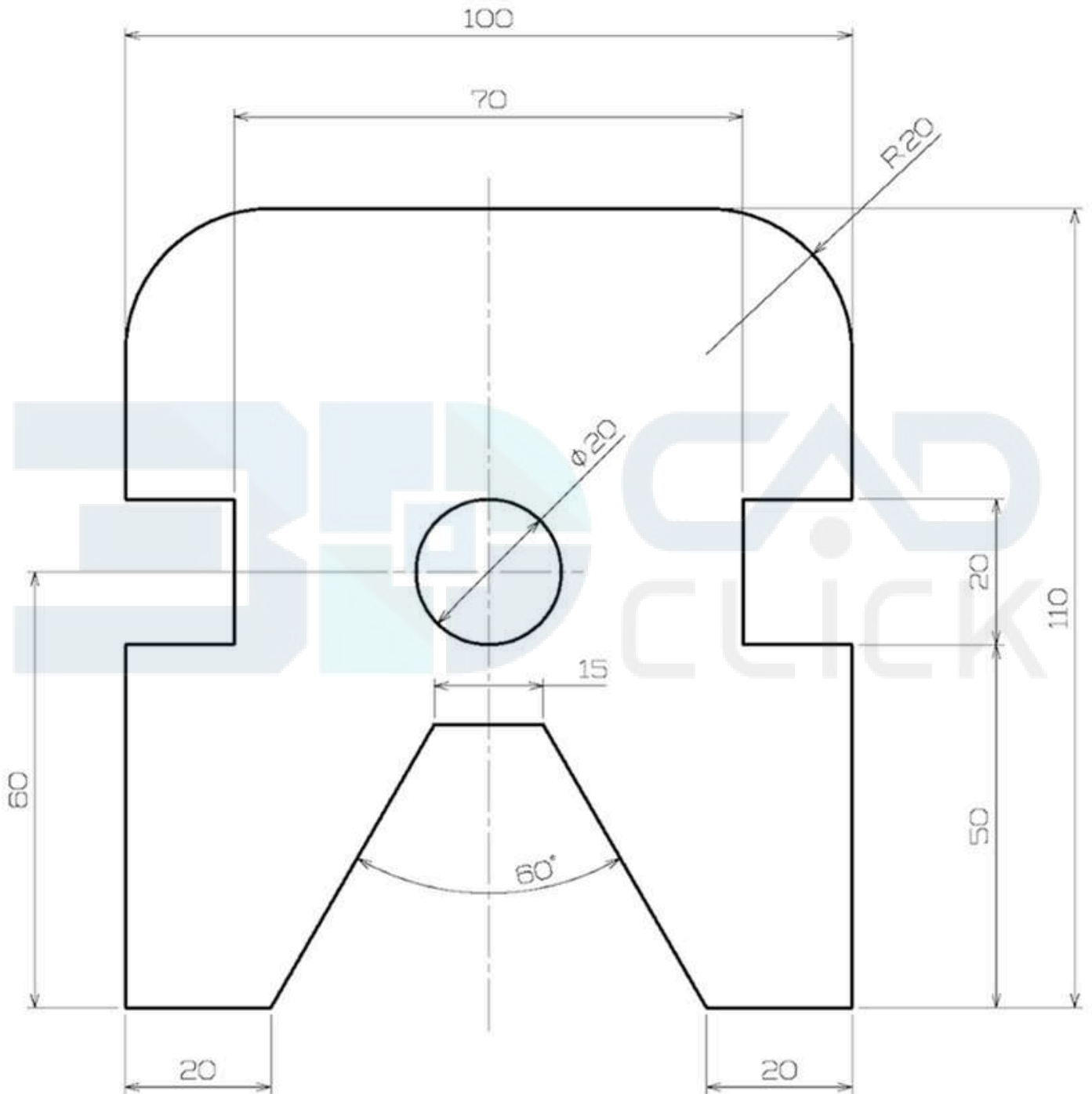


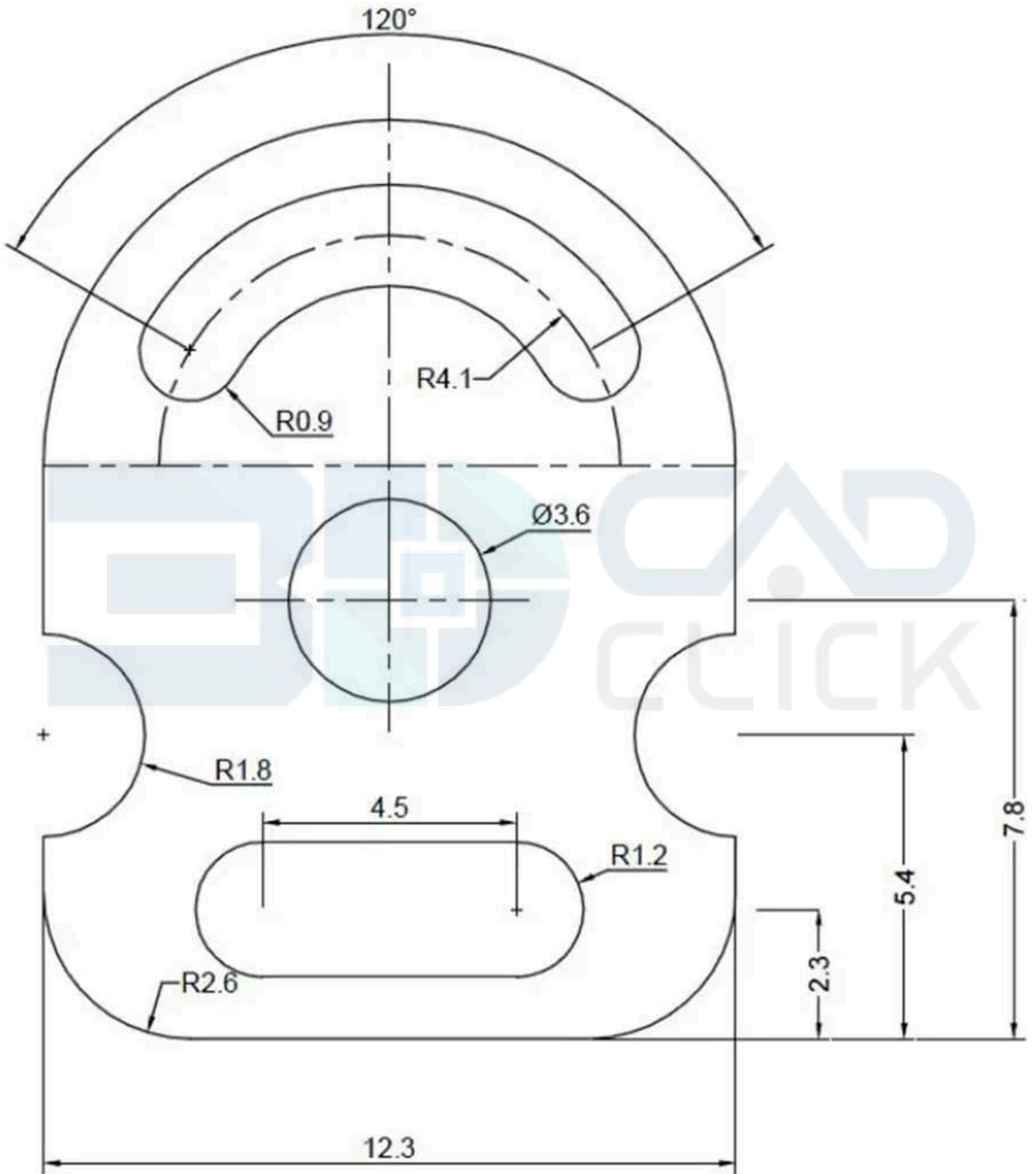


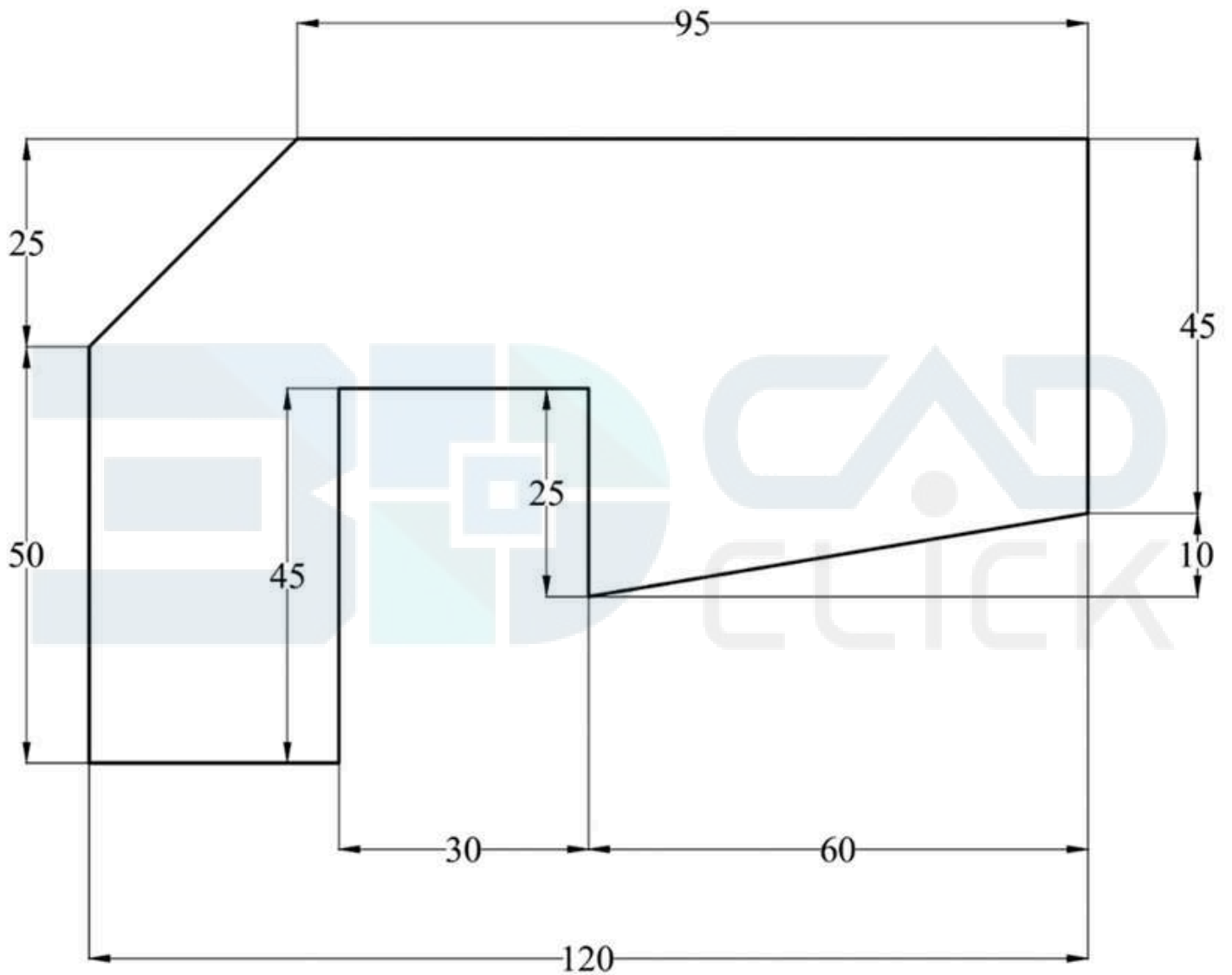


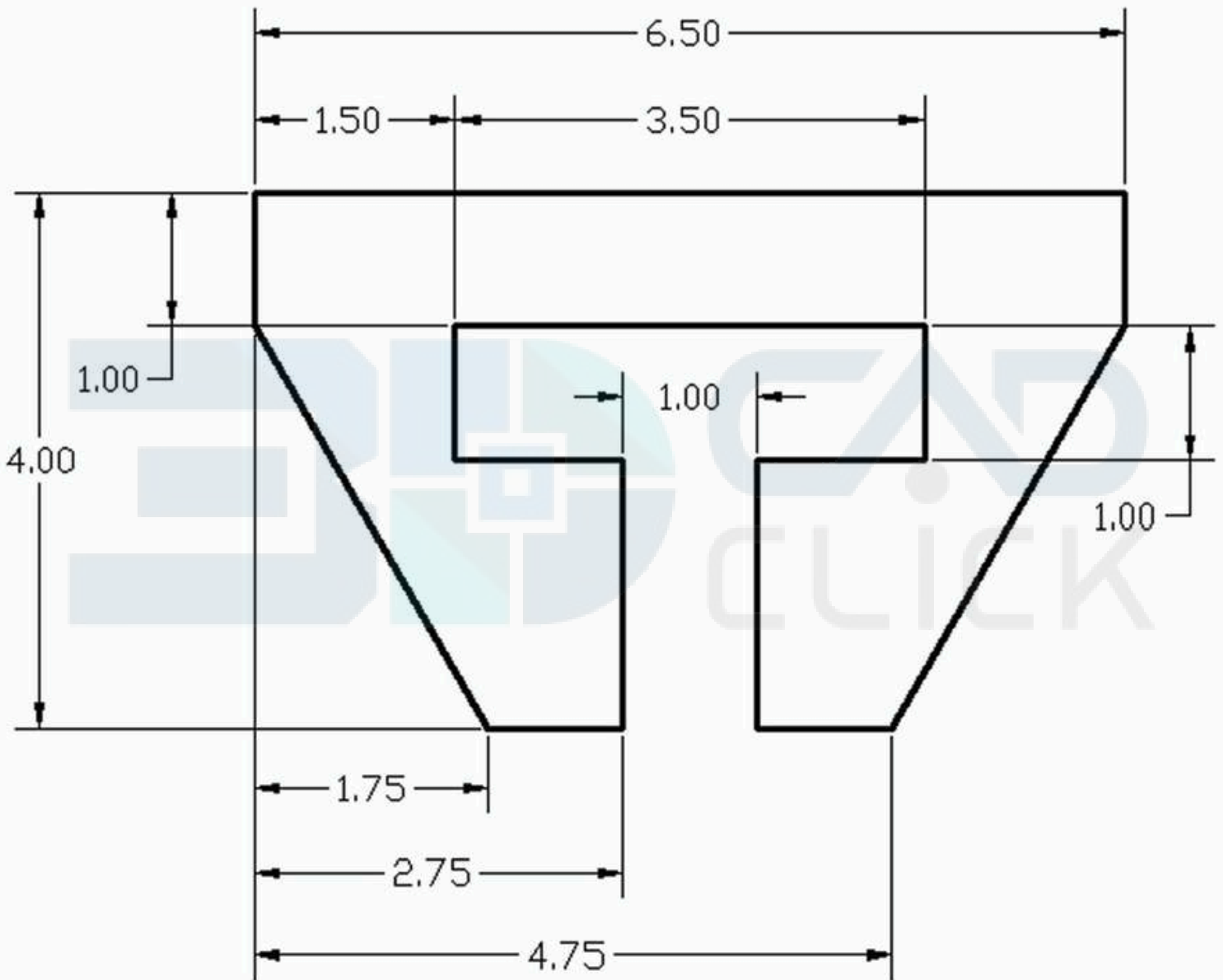


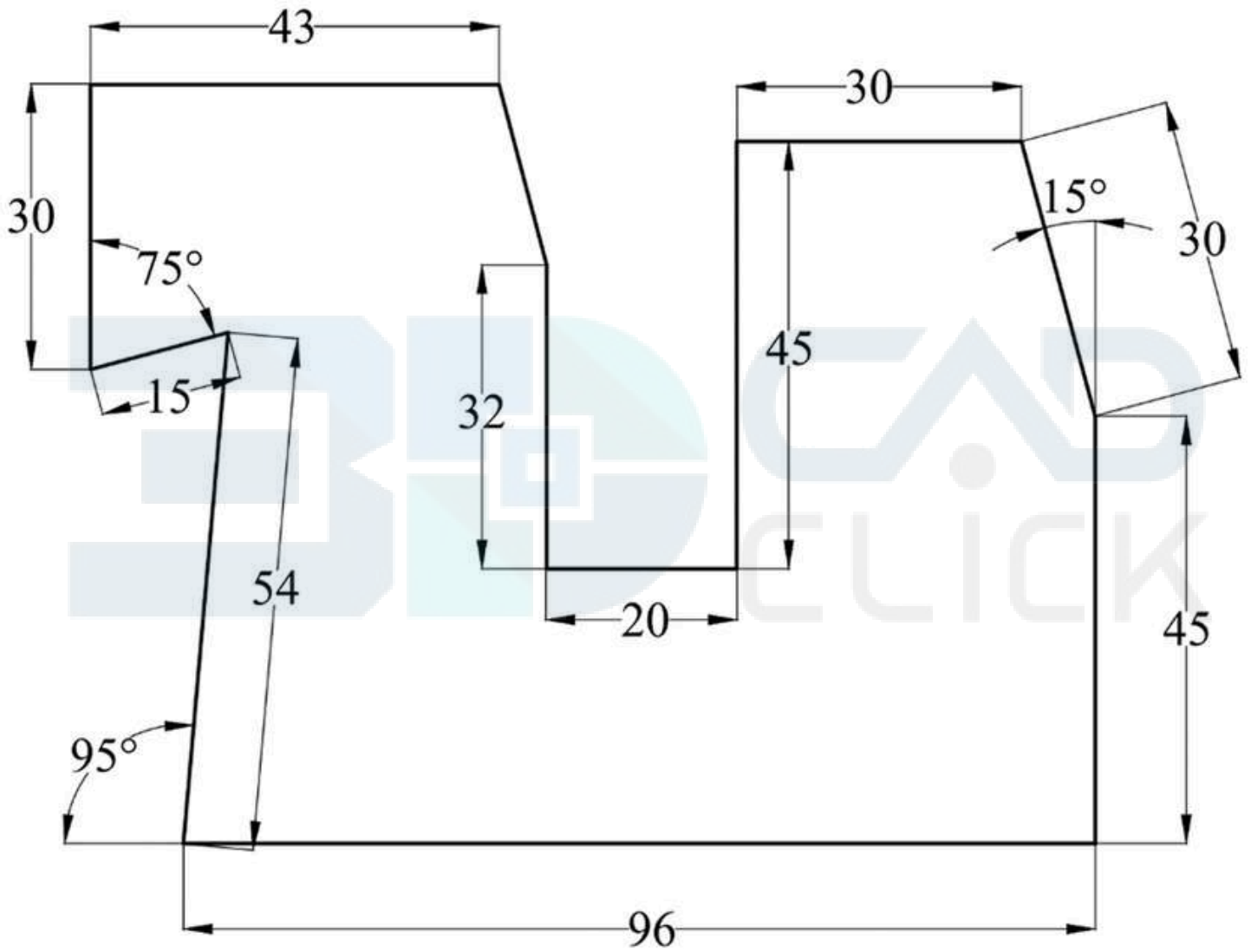


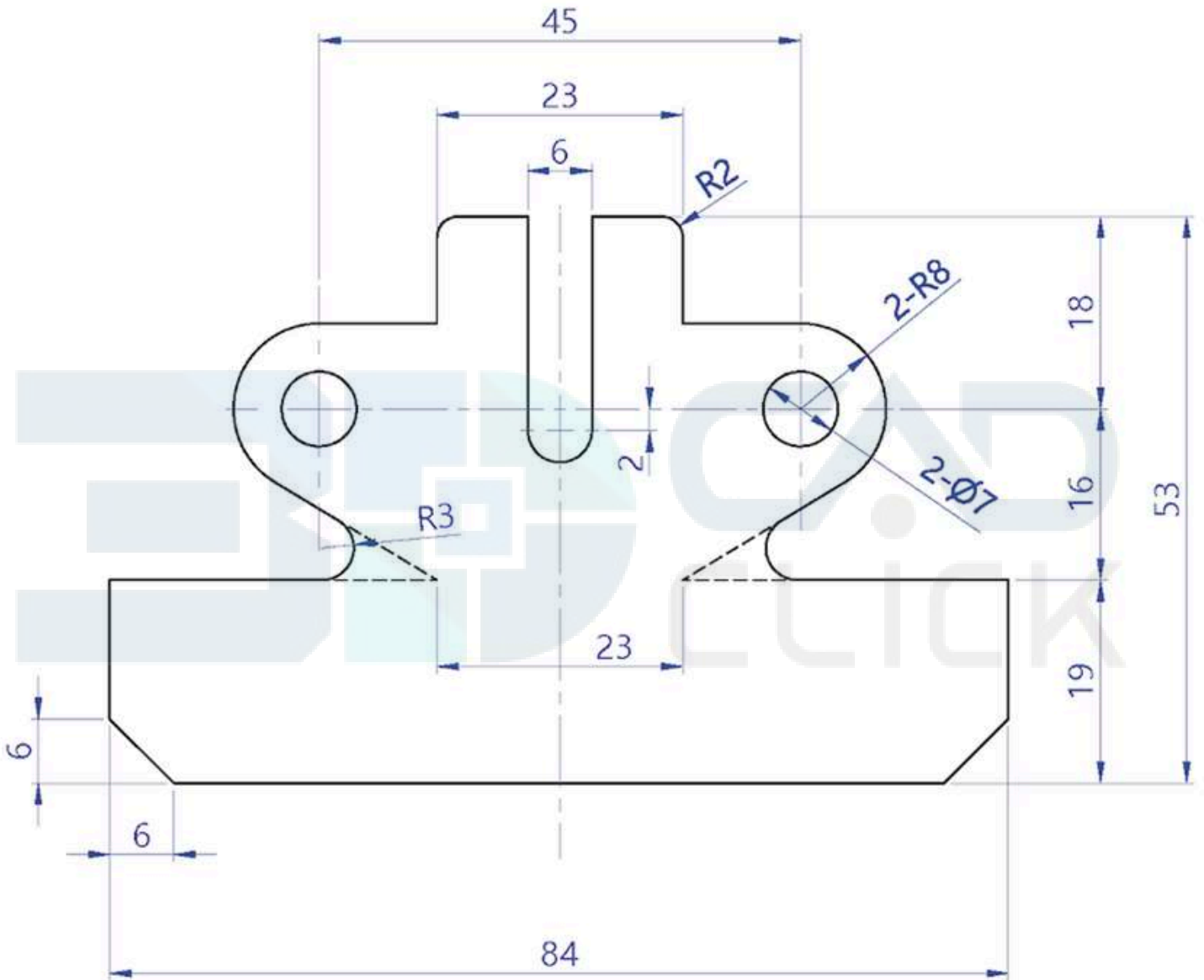


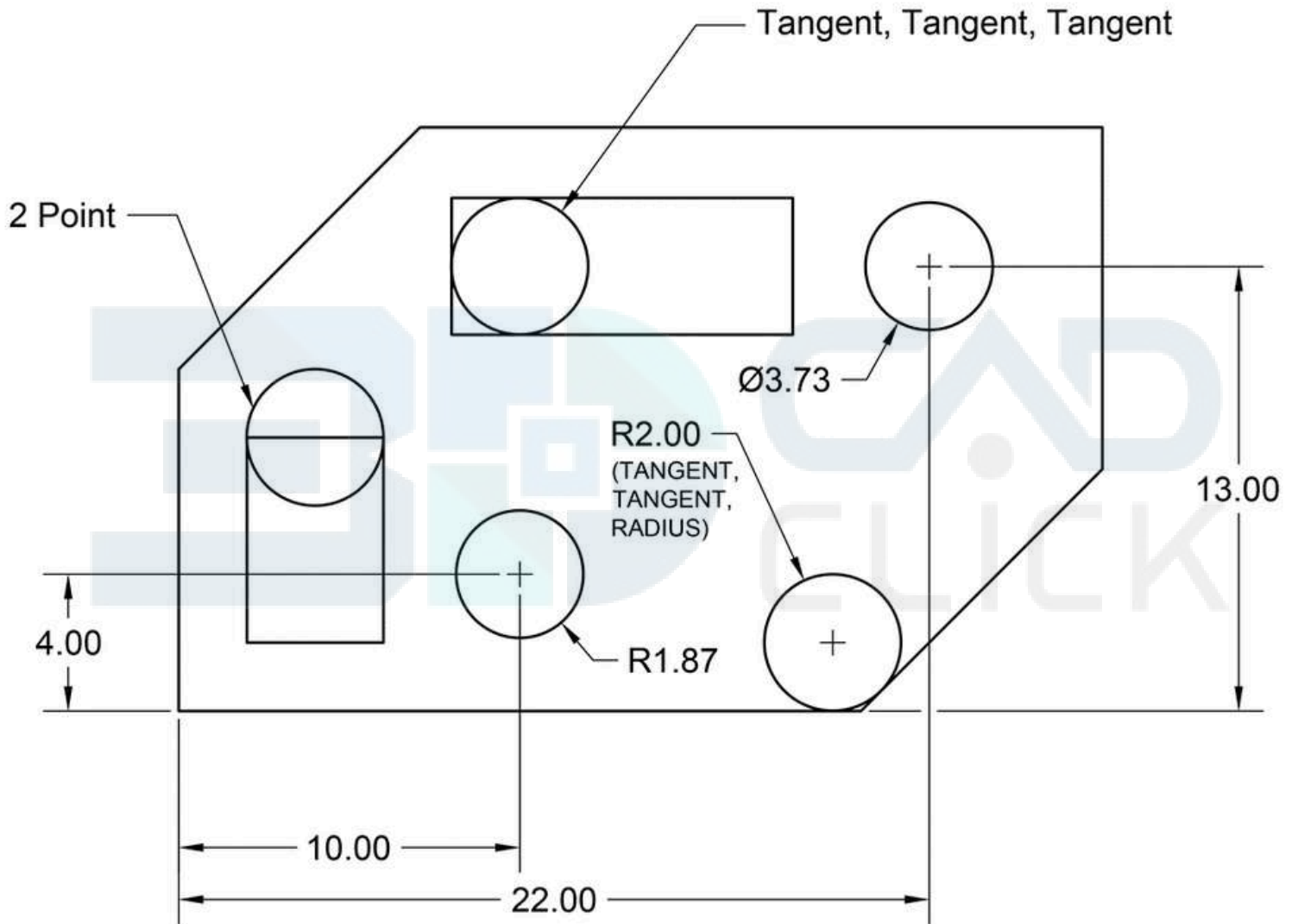


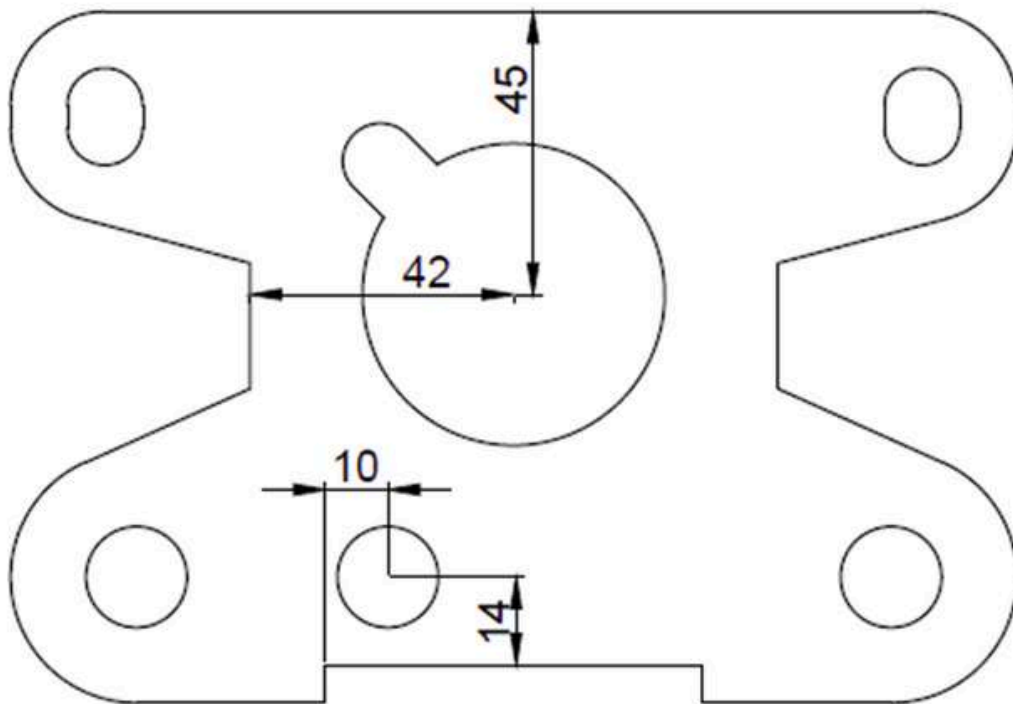
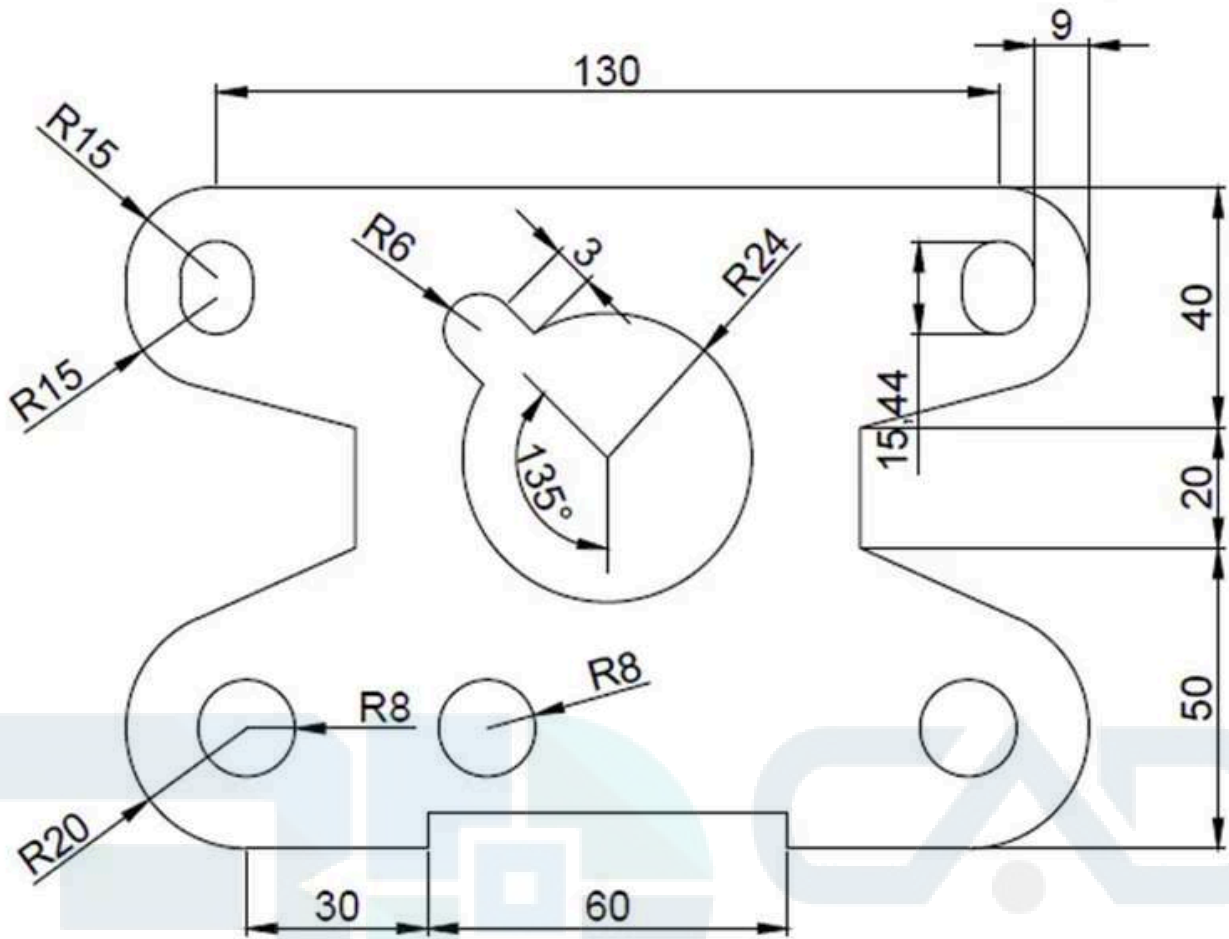


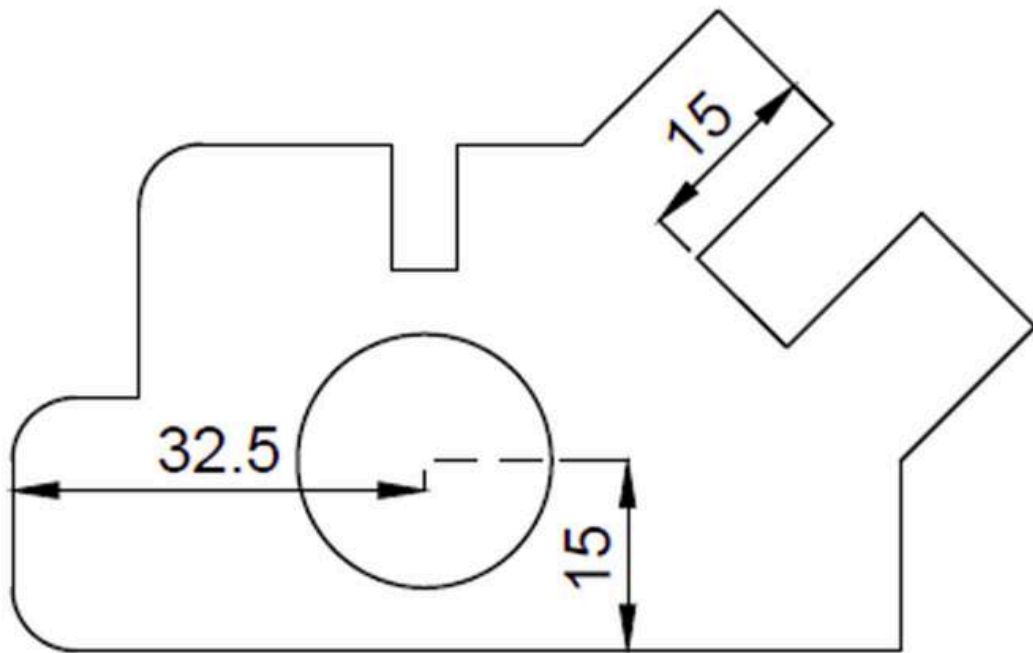
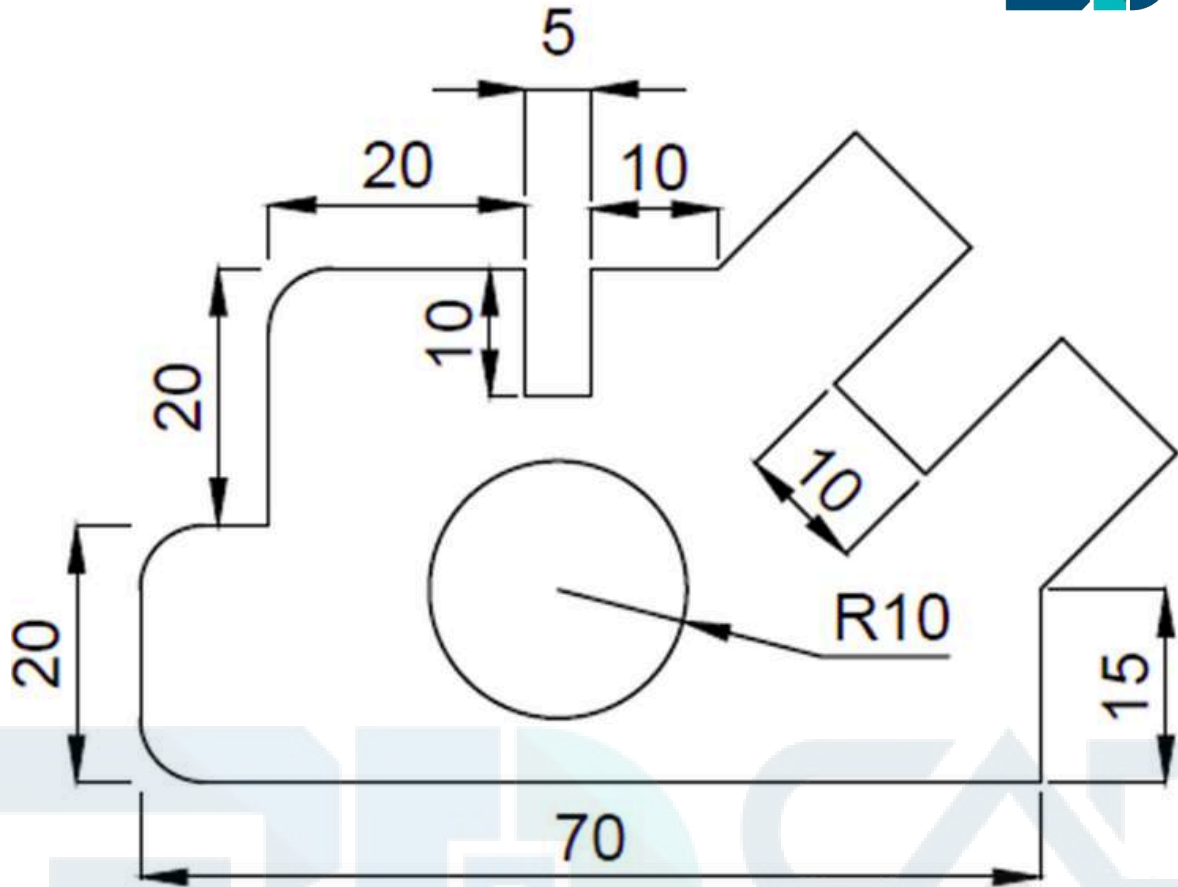


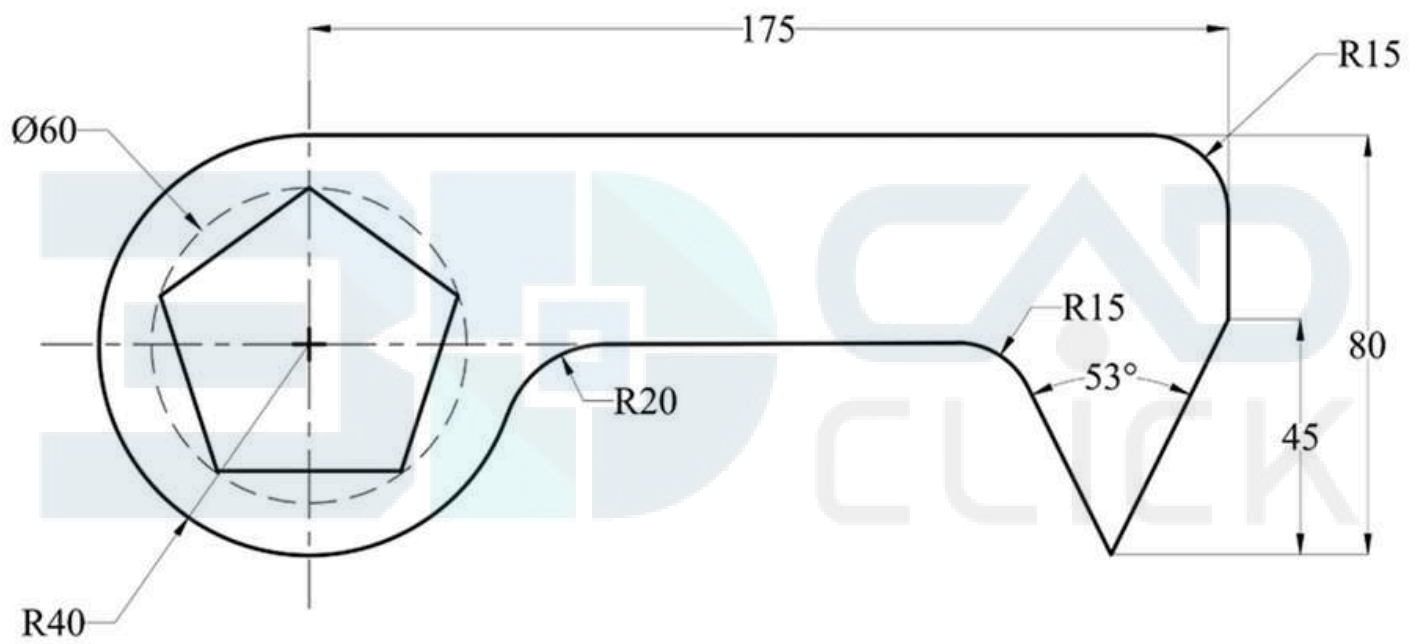


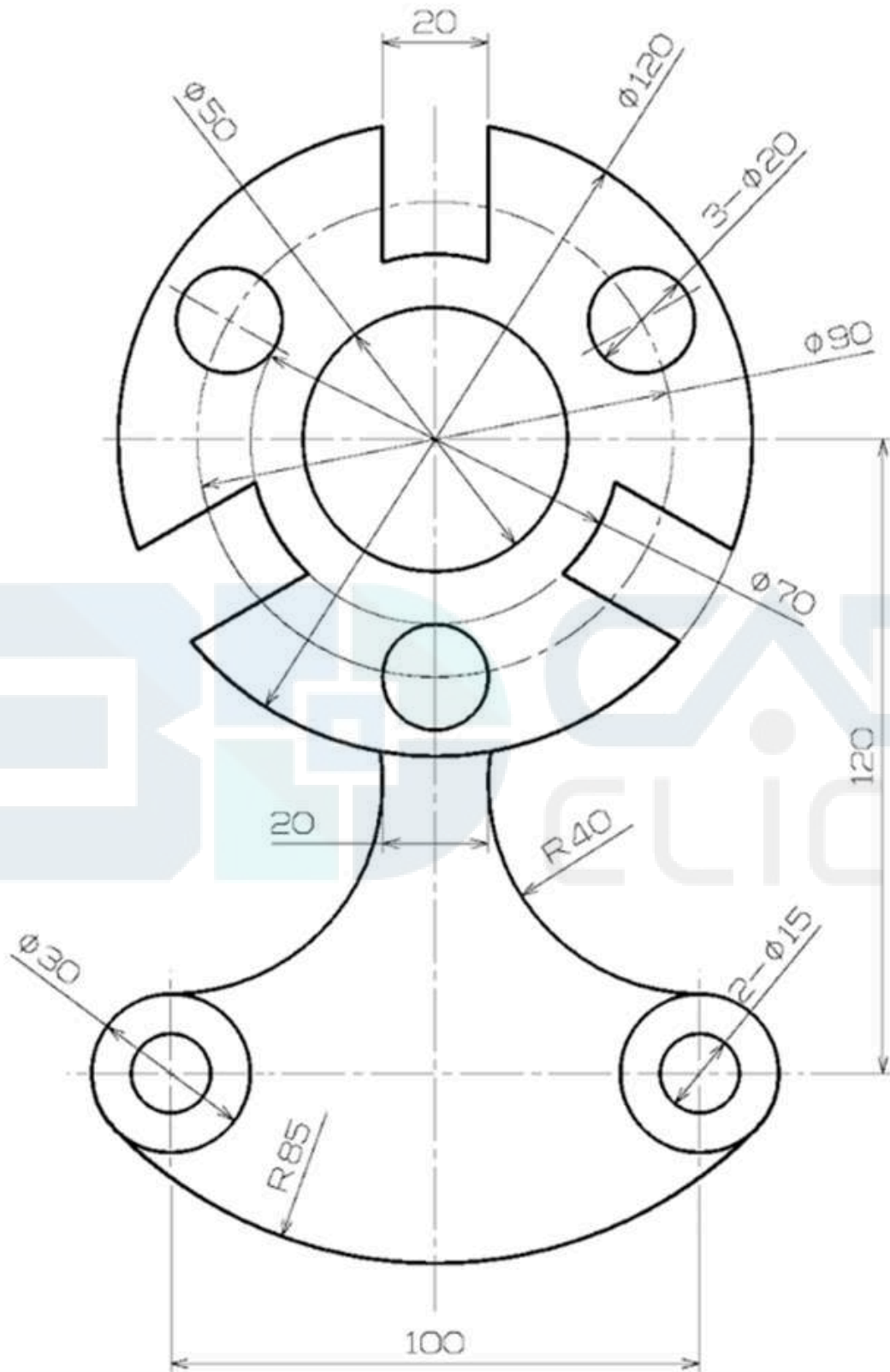


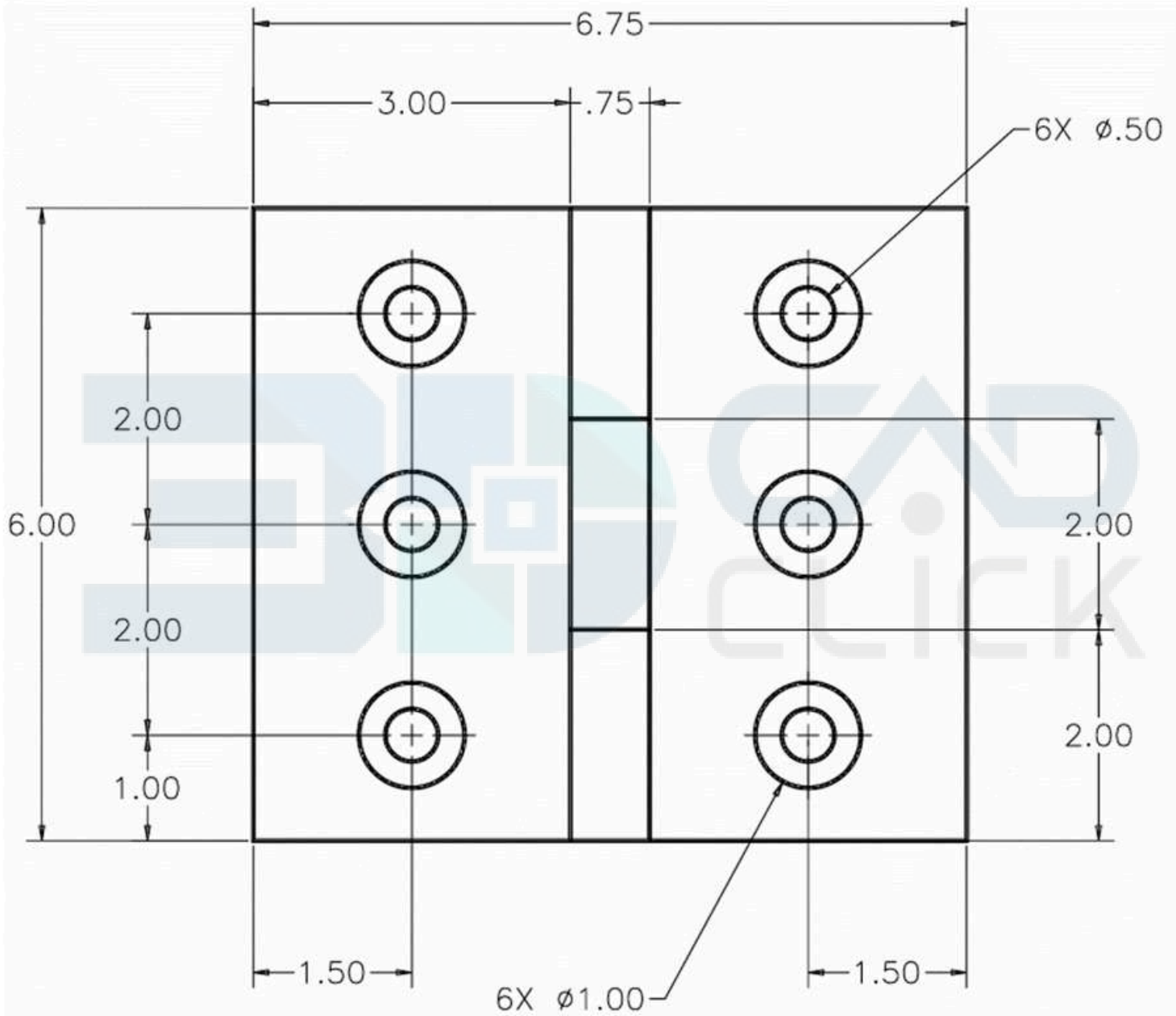


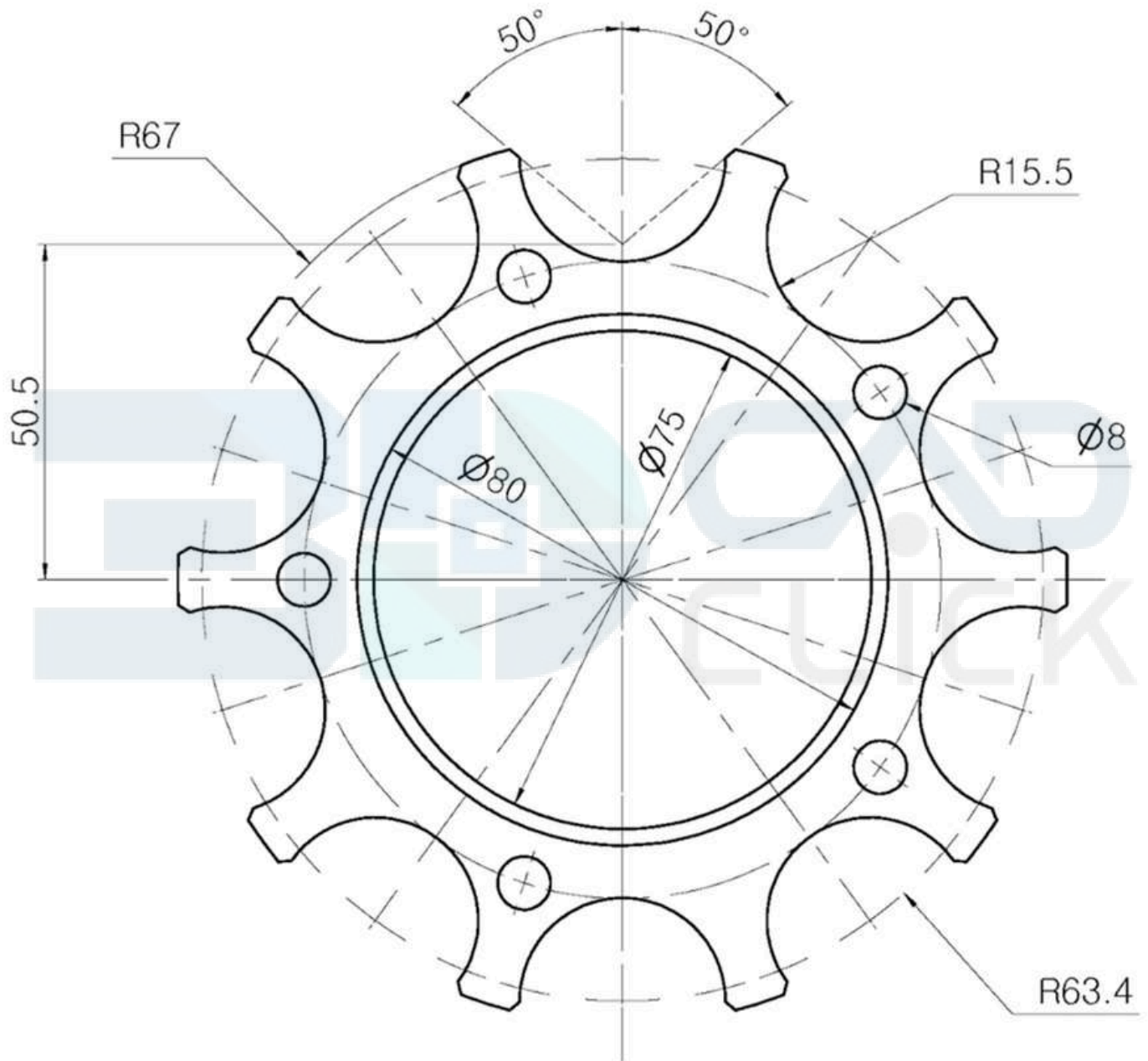


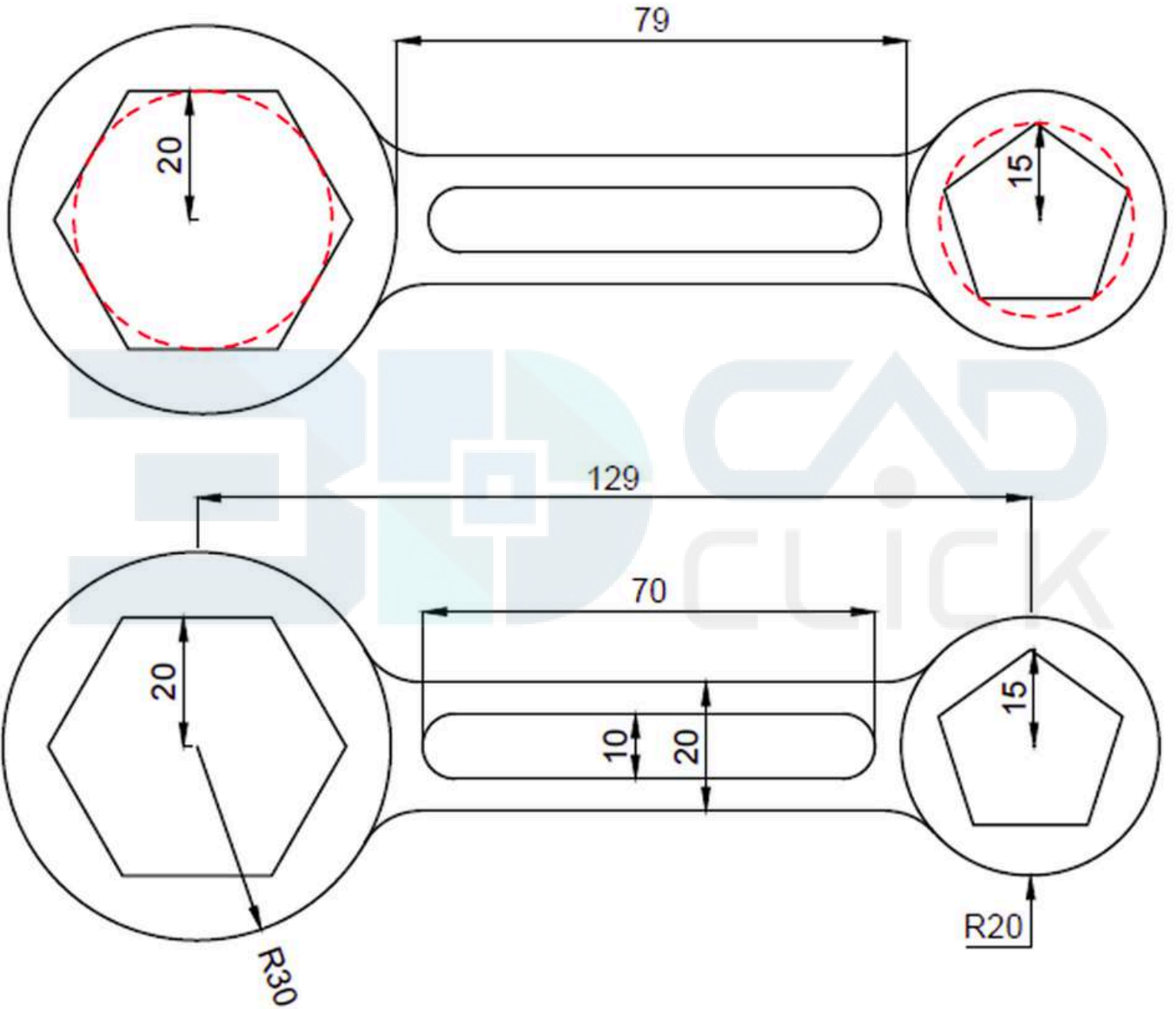


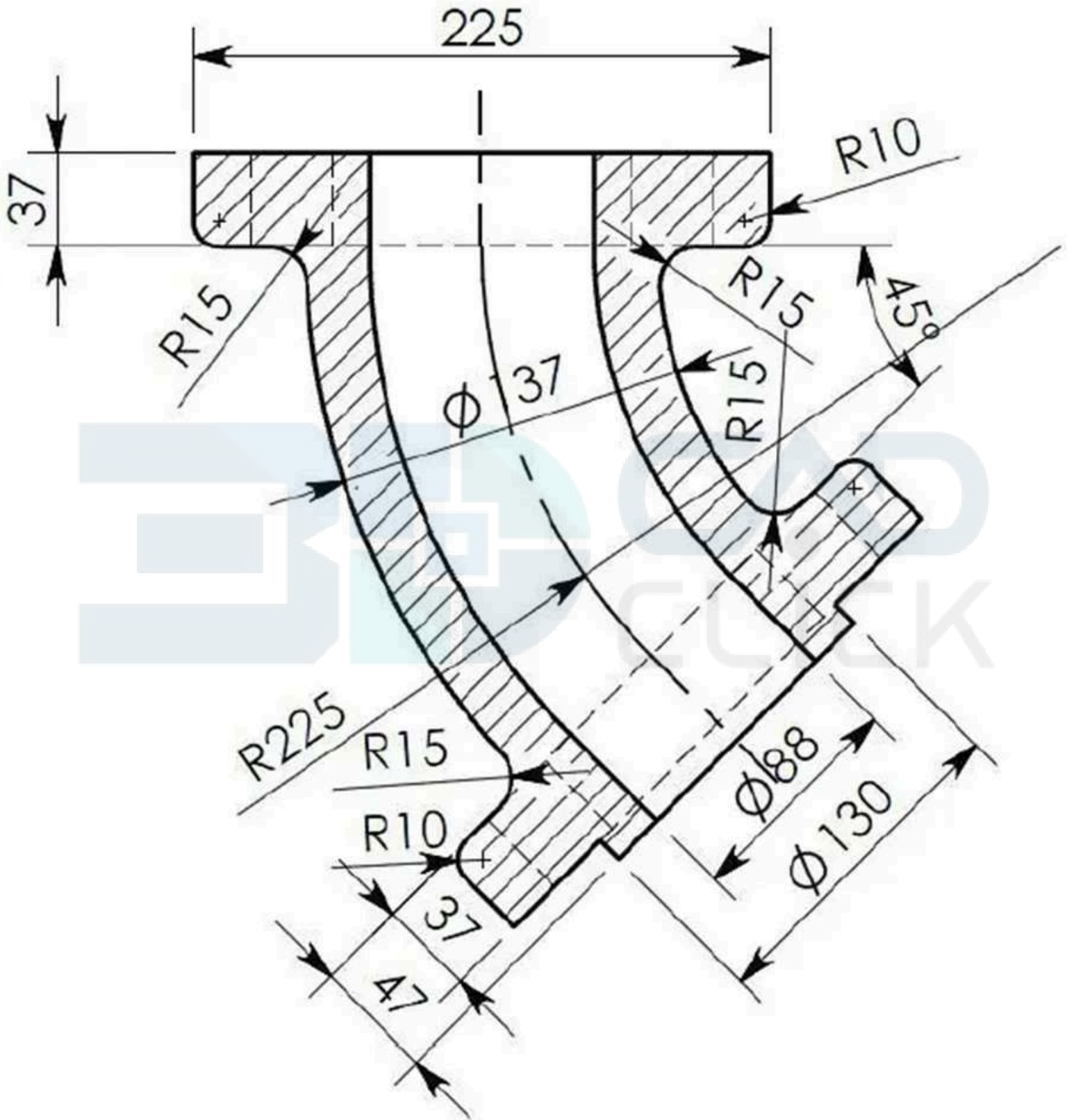


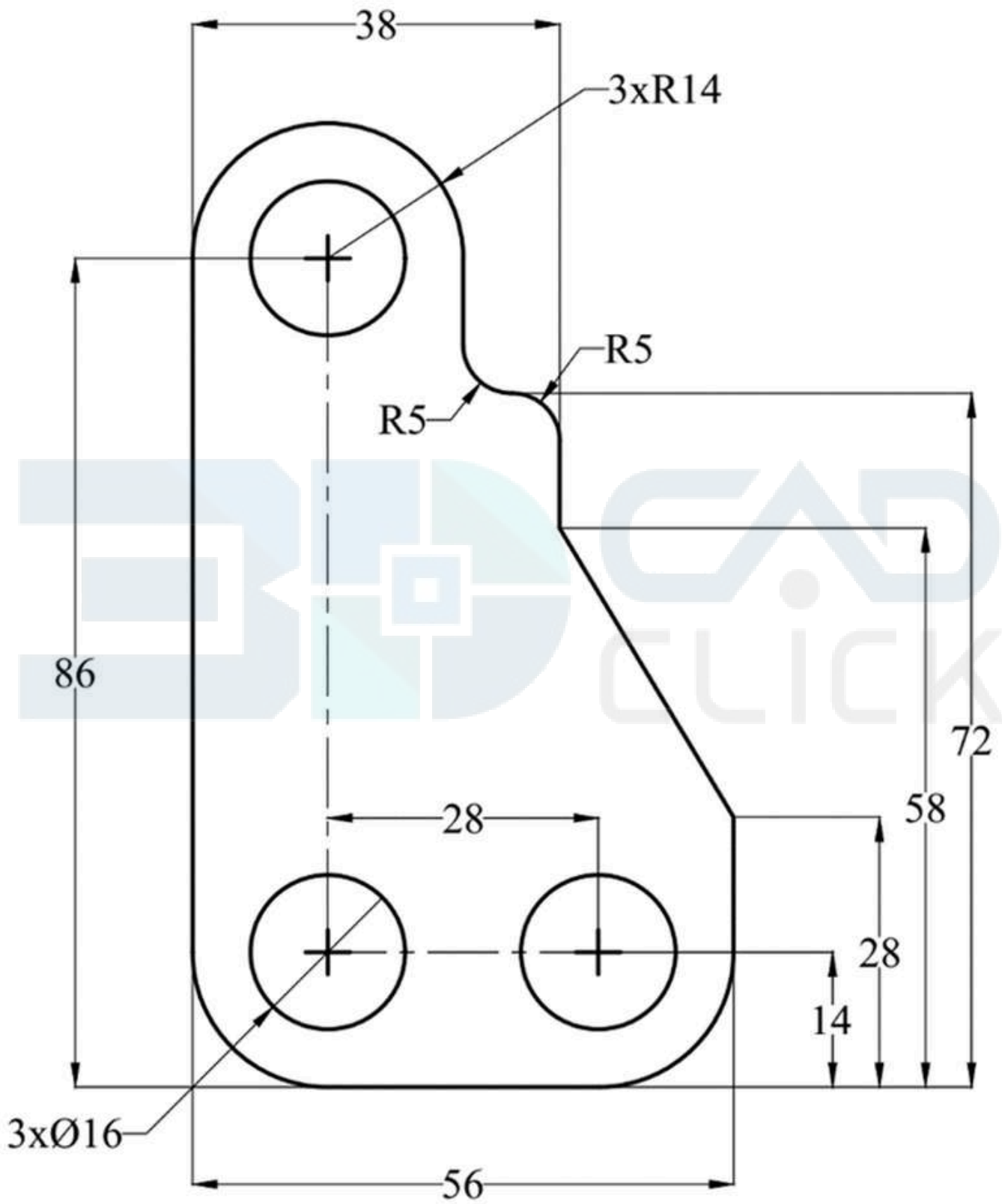


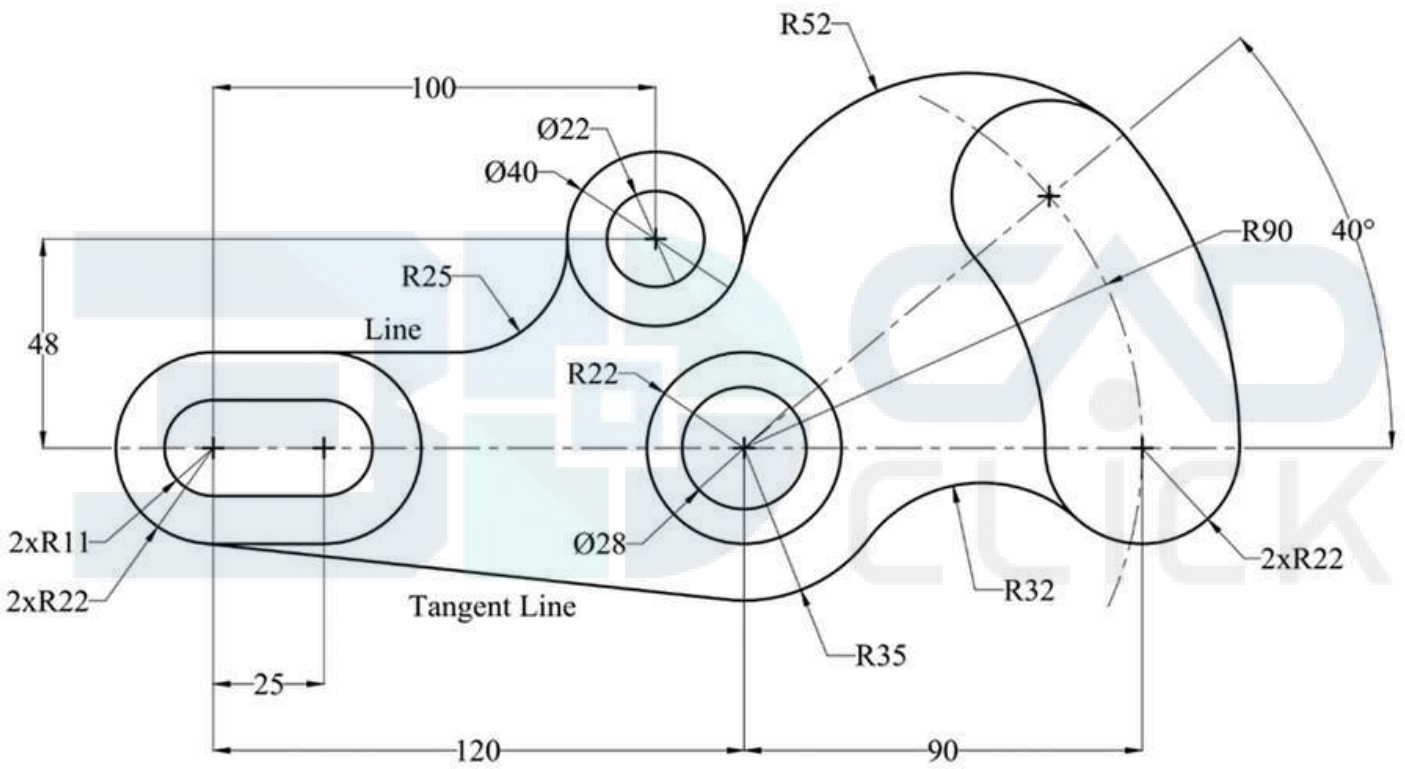


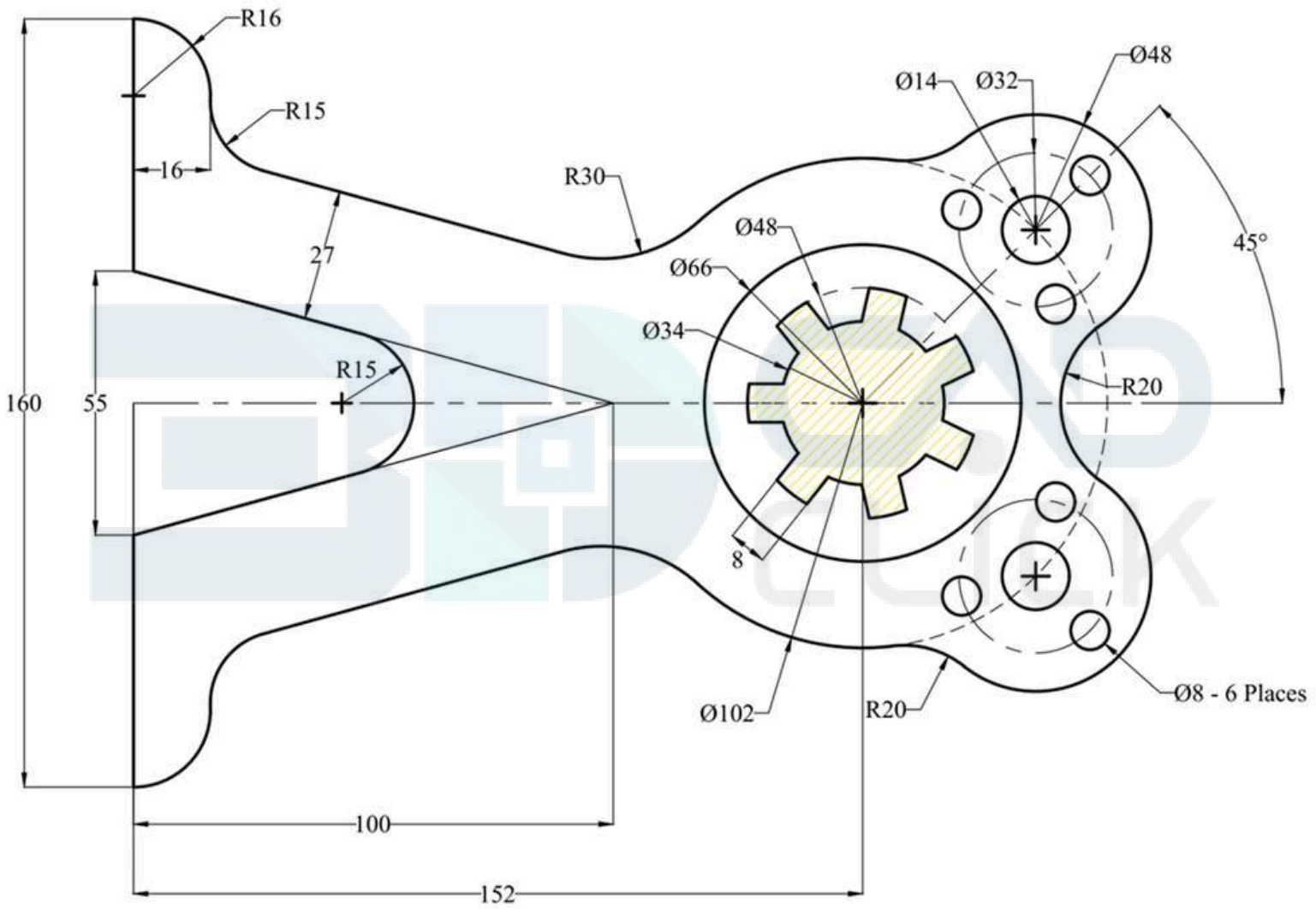


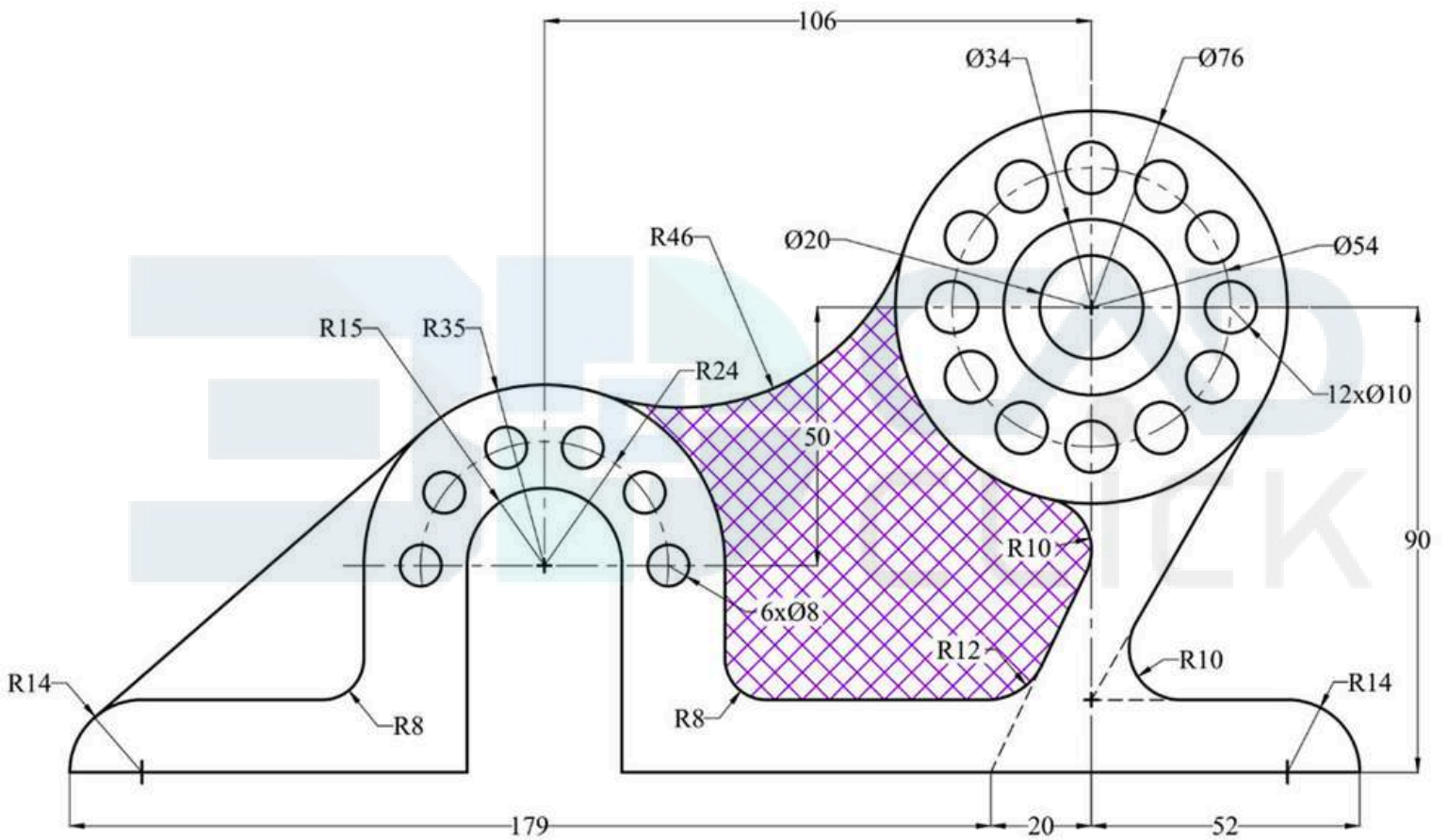


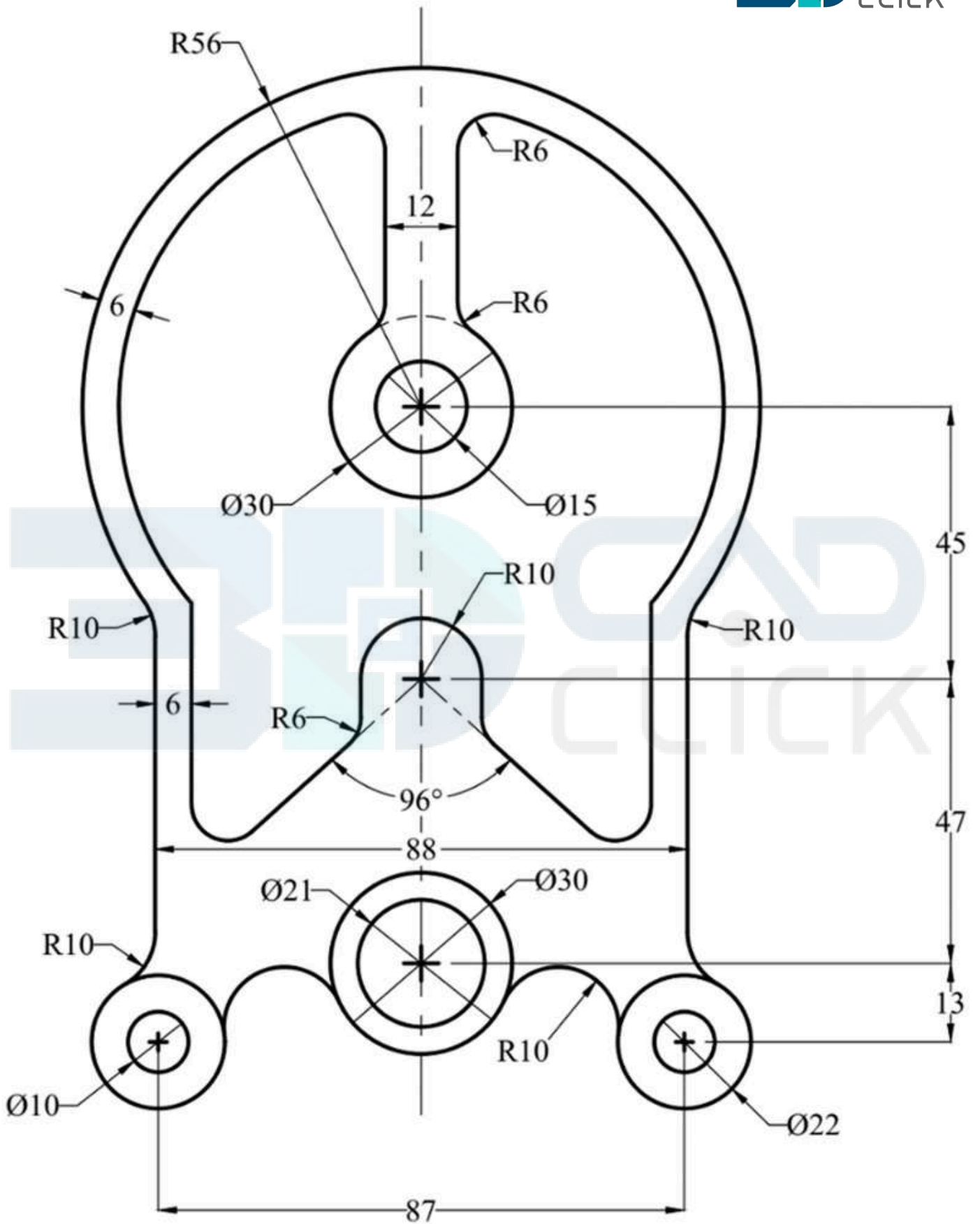


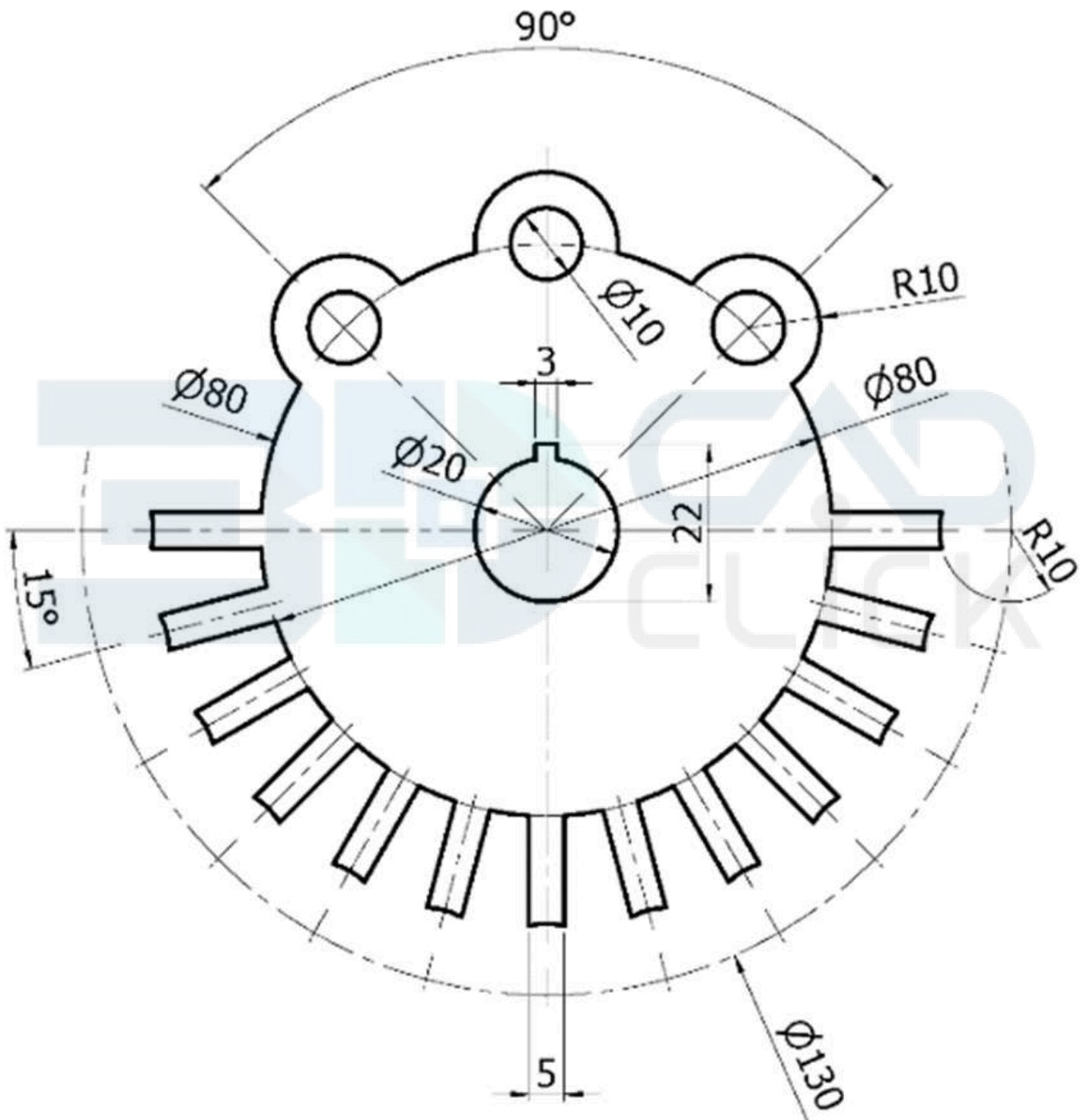


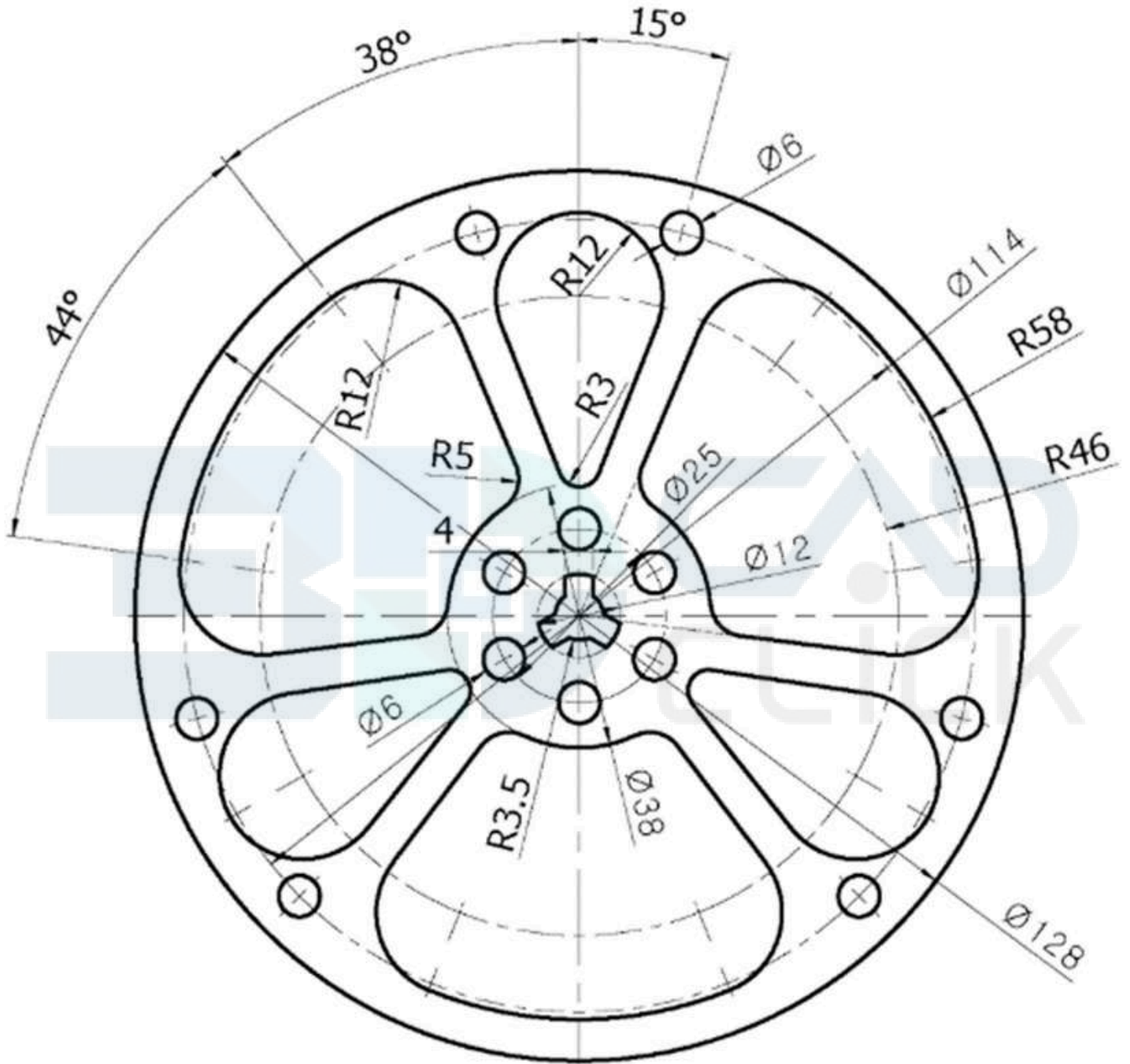












Visit :

www.3dcadclick.com